

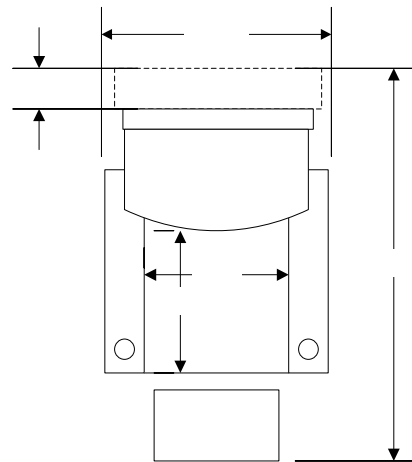


Luxury Theater Seating

NEW PRODUCT INTRODUCTION – Fall 2003

The BridgePointe™

BridgePointe is a “Club chair” design, offering a specially developed proprietary recline mechanism that allows for a factory adjustable mid-recline position that has been optimized for both long-term comfort as well as ideal movie-viewing sightlines. This results in a theater recliner whose full recline position only requires 6 inches of wall clearance, and a total length of only 58 inches – as much as a full foot shorter than other theater recliners.



A proprietary design made completely by Acoustic Innovations here in the U.S., the new BridgePointe has undergone extensive testing on a wide variety of human frame sizes. BridgePointe offers a level of comfort that rivals others far beyond in price. Hand-crafted, using high-end “bench-made” construction techniques, this CinemaChair™ is the new reference standard by which all others will be judged.

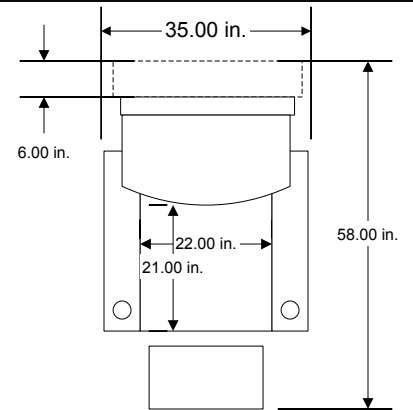
- ✓ Hand-crafted in the U.S. exclusively by Acoustic Innovations
- ✓ “Club” chair design makes BridgePointe ideal for smaller rooms
- ✓ The perfect balance of style and comfort in a “bench-made” theater seat
- ✓ Quality & Comfort Comparable to theater seats selling for considerably more
- ✓ Shared-arm capability for creating rows with classic theater look
- ✓ “Sightline Optimized” recline – designed specifically for theater use
- ✓ Available in hand selected designer fabrics and European Leathers

BridgePointe
Row Pricing + Dimensions



Single CinemaChair

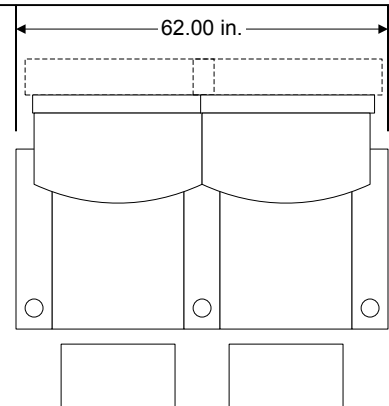
Fabric 1	995.00
Leather 1M	1195.00
Leather 1	1495.00



2 CinemaChairs

(Shared arm in the middle)

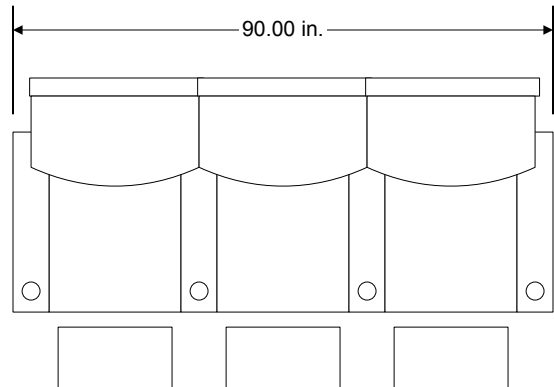
Fabric 1	1990.00
Leather 1M	2390.00
Leather 1	2990.00



3 CinemaChair Row

(Shared arms in the middle)

Fabric 1	2985.00
Leather 1M	3585.00
Leather 1	4485.00



4 CinemaChair Row

(Shared arms in the middle)

Fabric 1	3980.00
Leather 1M	4780.00
Leather 1	5980.00

